

SUPREME IMAGE
Video Surveillance Camera



**High Resolution DNR Smart IR
Color Dome Camera**

Specifications

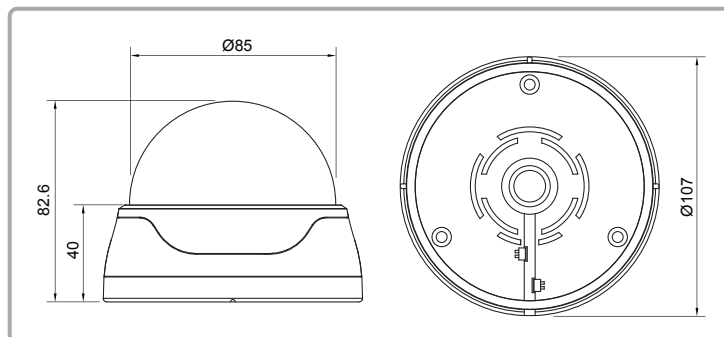
ITEM		NTSC	PAL
Image Sensor		1/3" Interline transfer type color CCD (Sony)	
Effective Pixels	Hi-Res	768H x 494V (380K Pixels)	752H x 582V (440K Pixels)
	Std-Res	510H x 492V (250K Pixels)	500H x 582V (290K Pixels)
Scanning System		525 Lines 2:1 Interlace	625 Lines 2:1 Interlace
Scanning Frequency		15.734KHz(H), 59.94Hz(V)	15.625KHz(H), 50Hz(V)
Resolution		600TVL(Hi-Res), 350TVL(Std-Res)	
Shutter Speed		1/60~1/100,000 sec	1/50~1/100,000 sec
S/N Ratio		More than 48dB (AGC Off)	
Sync. System		Internal	
Min. Illumination		0.2Lux @F2.0	
Lens		Std. f=3.6mm F2.0 (Option: 2.9mm)	
White Balance		ATW	
Video Output		VBS 1.0 Vp p (75 Ω Load)	
Power Supply(*)		DC12V ± 10%	
Power Consumption	High-Res.	Max.: 100mA/DC12V	
	Standard-Res.	Max.: 130mA/DC12V	
Operating Temp.		-10 ~ +50	
Operational Humidity		Max. 90% RH	
Dimensions		107mm(Ø) × 82.6mm(H) (Dome: Ø 85)	

(*) Use regulated & specified power supply.

Features

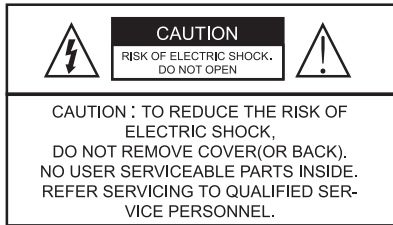
- 1/3" Sony Super HAD High/Standard-Resolution Color CCD
- 600TVL Hi-Resolution, 350TVL Std-Resolution
- Built-in 4mm F2.0 Fixed Lens
- Option: 2.9mm
- 2D-Digital Noise Reduction
- Dead Pixel Compensation
- 3-Axis Gimbal Bracket
- Power: DC12V

Dimension (Unit:mm)



Design and specifications are subject to change without notice

Caution



This symbol is intended to alert the user to the presence of noninsulated "dangerous voltage" within the product's enclosure that may be of sufficient magnitude to constitute a risk of electric shock to persons.



The exclamation point within an equilateral triangle is intended to alert the user to the presence of important operating and maintenance (servicing) instructions in the literature accompanying the product.

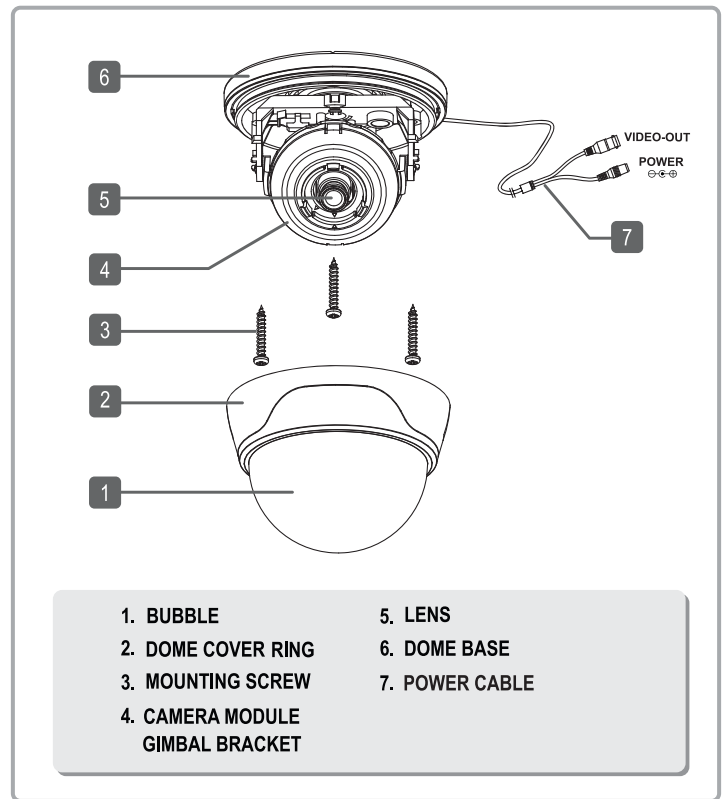
Warning

To prevent fire or shock hazard, do not expose this appliance to rain or moisture.
To avoid electrical shock, do not open the cabinet.
Refer servicing to qualified personnel only.
Wiring methods shall be in accordance with the National Electric Code.

This product is manufactured to comply with the CE and FCC Certificate standard.



Parts Name and Description

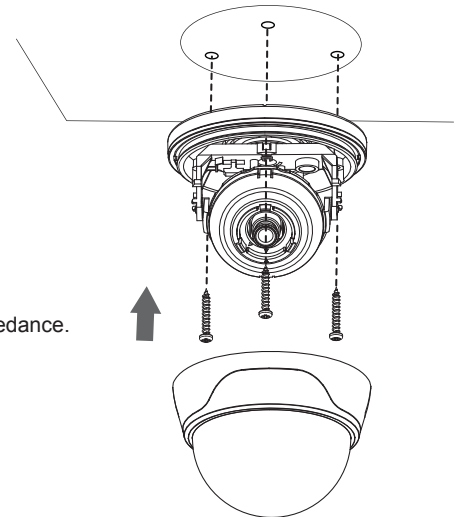
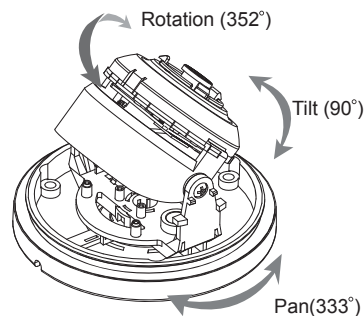


Installation & Adjustment

1. Open the dome cover ring from the dome base with coins.
2. There are three mounting holes on the dome base so that you can install the dome unit in any place such as ceiling, wall and etc.
3. Use the mounting screws to affix the dome base to a sturdy surface.
4. Connect the video & power cable to camera. Please check below points before connection.
 - > Power supply
Adaptor: 500mA/DC12V
To avoid fire or shock hazard, must be use a UL listed power supply
 - > Monitor Impedance
Set the impedance switch to 75Ω standard position. When monitor is set to high impedance mode, the picture may become blurred. In this case, check the switch position of monitor impedance.
5. Adjusts the camera viewing angle and then cover the dome cover ring to the dome base.

■ Adjustment

1. Rotation: Adjusting the rotation to desired angle by hand.
2. Tilt: Adjusting the tilt to move up and down by hand.
3. Pan: Adjusting the pan to turn right and left by hand.



Caution!

To avoid smear, do not expose the camera directly to a strong light source such as the sun or spot light.

Design and specifications are subject to change without notice